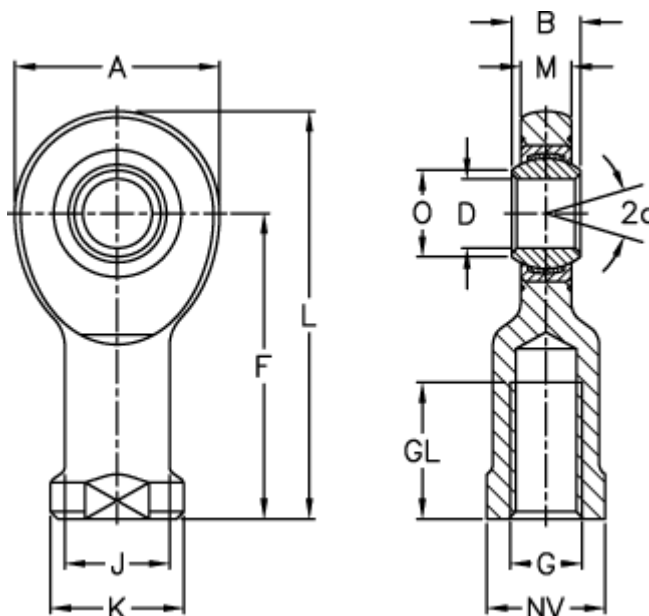


Article number: 03488006

Description: Fluro Rod end EIL 6D-NIRO

Note: 6

## Measures



A	= 20	J	= 10
a (degrees)	= 13	K	= 13
B	= 6	L	= 40
D	= 6	M	= 4.4
Dynamic drive (kN)	= 4	NV	= 11
F	= 30	O	= 8
g	= M6	Static drive kN	= 6
GL	= 12	Weight	= 21